

# Regular Maintenance

## Cleaning

Clean the machine regularly to ensure optimum printing quality.

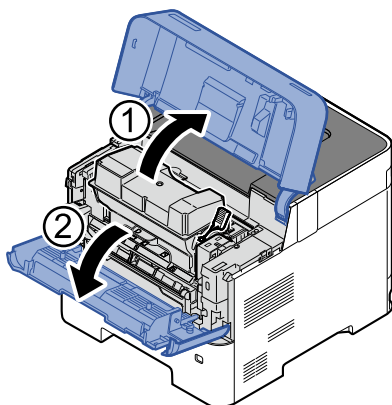


### CAUTION

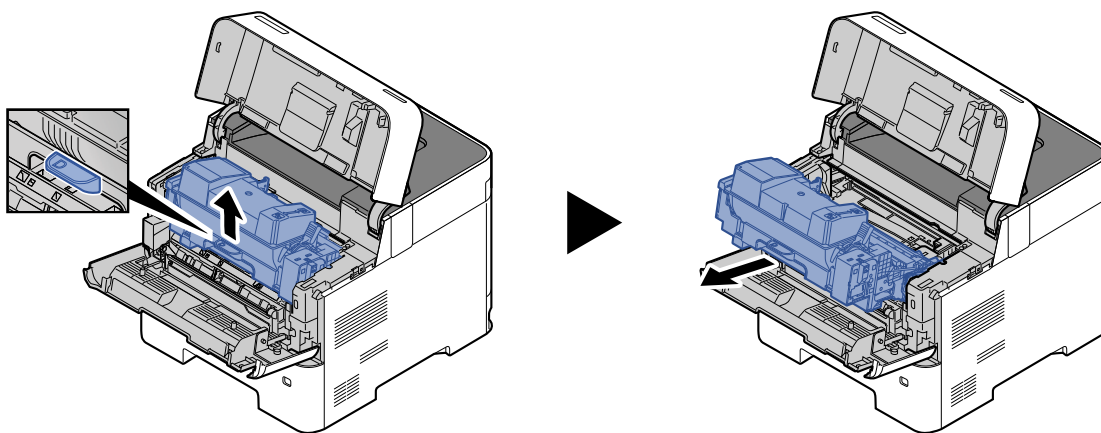
For safety, always unplug the power cord before cleaning the machine.

### Registration Roller

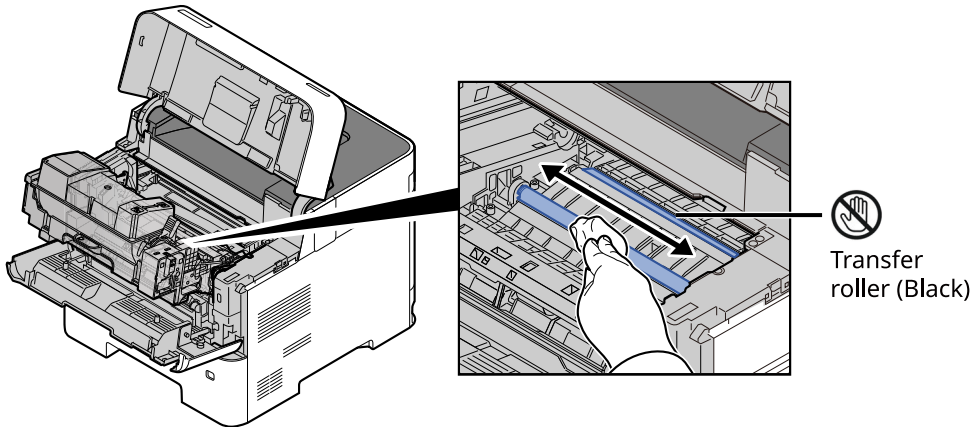
1



2



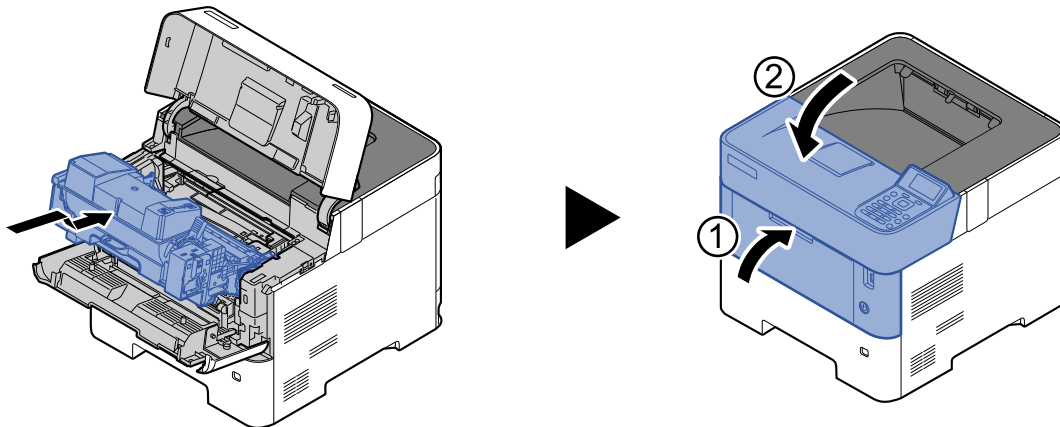
### 3 Use a lint free cloth to clean dust and dirt away from the registration roller (metal).



#### ✔ IMPORTANT

Be careful not to touch the black transfer roller and brown transfer belt during cleaning as this may adversely affect print quality.

### 4



### Vents

Use a lint free cloth to clean dust and dirt away from the vents.

