

Replace the Waste Toner Box

When the waste toner box is full, the following message will be displayed. Immediately replace the waste toner box.

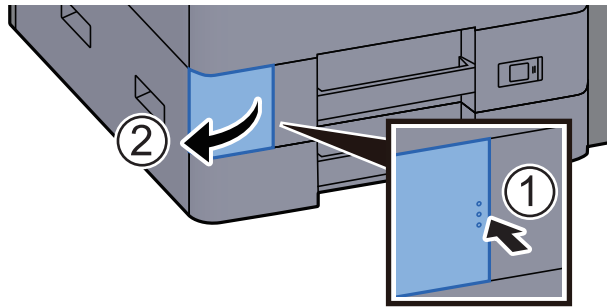
"Waste toner box is full."



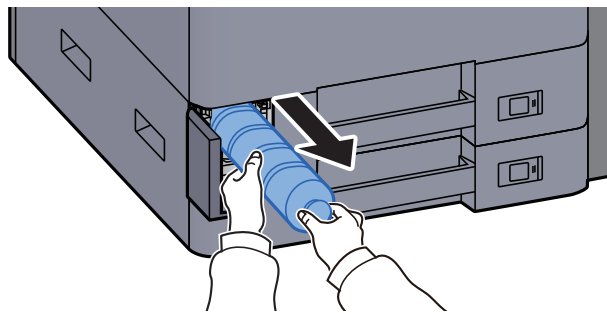
CAUTION

Do not attempt to incinerate parts which contain toner. Dangerous sparks may cause burns.

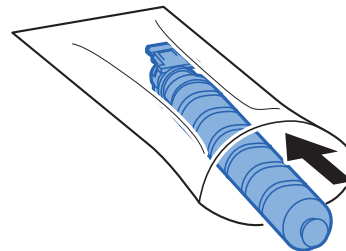
- 1 Open the waste toner box cover.**



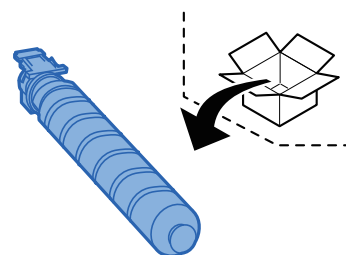
- 2 Remove the Waste Toner Box.**



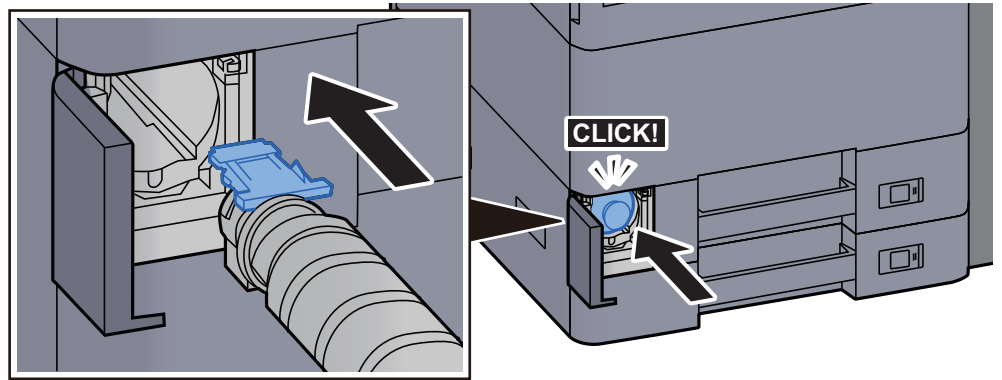
- 3 Put used Waste Toner Box into the plastic waste bag.**



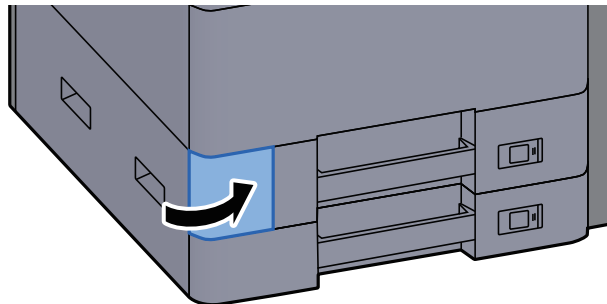
- 4 Remove the new Waste Toner Box.**



5 Install the Waste Toner Box.



6 Close the waste toner box cover.



NOTE

Return the exhausted waste toner box to your dealer or service representative. The collected waste toner box will be recycled or disposed in accordance with the relevant regulations.

Loading Paper

When Cassette # runs out of paper, the following messages will be displayed.

"Add paper in cassette #."

"Add paper in Multipurpose tray."

- ➔ [Loading in Cassette 1 \(page 3-4\)](#)
- ➔ [Loading in Cassette 2 \(page 3-7\)](#)
- ➔ [Loading in the Large Capacity Feeder \(page 3-14\)](#)
- ➔ [Loading in the Side Feeder \(page 3-16\)](#)
- ➔ [Loading Paper in the Multipurpose Tray \(page 5-2\)](#)

NOTE

If [**Show Paper Setup Message**] is set to [**On**], the confirmation screen for the paper setting will be displayed when a new paper is set. If a paper is changed, select [**Change**] and then change the settings of the paper.

- ➔ [Cassette 1 \(to 5\) \(page 8-6\)](#)
- ➔ [MP Tray Setting \(page 8-7\)](#)